



LED Neon
FLEX



Version 1.4

VIVID

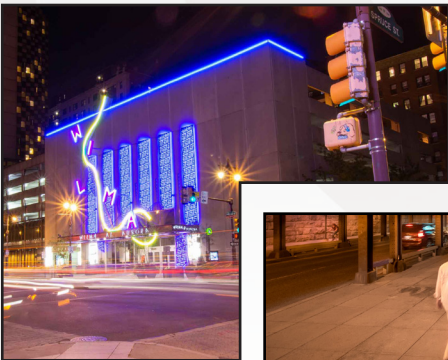
LIGHTSTRIP

SILICONE 24V



For More Information

Toll Free: 1 (888) 580-6366



UNITED STATES

Pacific Business Center
1075 American Pacific Dr.,
Ste. A Henderson, NV 89074

CANADA

264 Botsford Street,
Suite 200 Moncton, NB
E1C 4X7

GILLS reserves the right to make any design changes for continuous improvement which will not affect the overall appearance or performance.

www.gills.com

www.ledneonflex.com

Version 1.4 | Specifications are subject to change without notice.

Available Colors

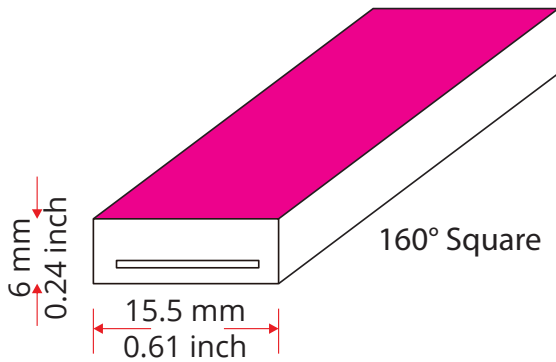
Color	CCT Wavelength
Red	618-624nm
Green	522-528nm
Blue	468-474nm
Amber	588-594nm
2200K	2238 ± 102K
2700K	2725 ± 145K
3000K	3045 ± 175K
3500K	3045 ± 175K
4000K	3985 ± 275K
5700K	5669 ± 355K

Lumen Count

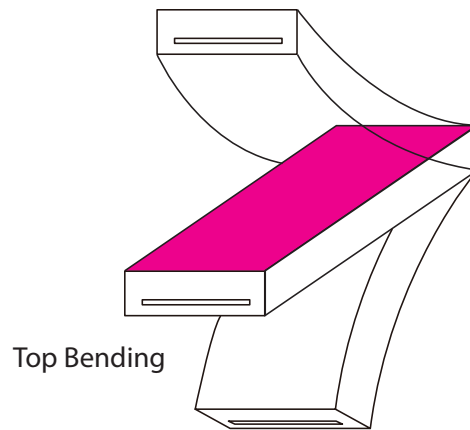
Color	Per Foot	Per Meter	Power/m
Red	>91.44lm	>300lm	2.44W/ft(8W/m)
Green	>213.36lm	>700lm	3.66W/ft(12W/m)
Blue	>51.82lm	>170lm	3.66W/ft(12W/m)
Amber	>91.44lm	>300lm	2.44W/ft(8W/m)
2200K	>213.36lm	>700lm	3.66W/ft(12W/m)
2700K	>243.84lm	>800lm	3.66W/ft(12W/m)
3000K	>274.32lm	>900lm	3.66W/ft(12W/m)
3500K	>274.32lm	>900lm	3.66W/ft(12W/m)
4000K	>274.32lm	>900lm	3.66W/ft(12W/m)
5700K	>274.32lm	>900lm	3.66W/ft(12W/m)



Light Profile



Bending Direction



Minimum Bending Diameter

